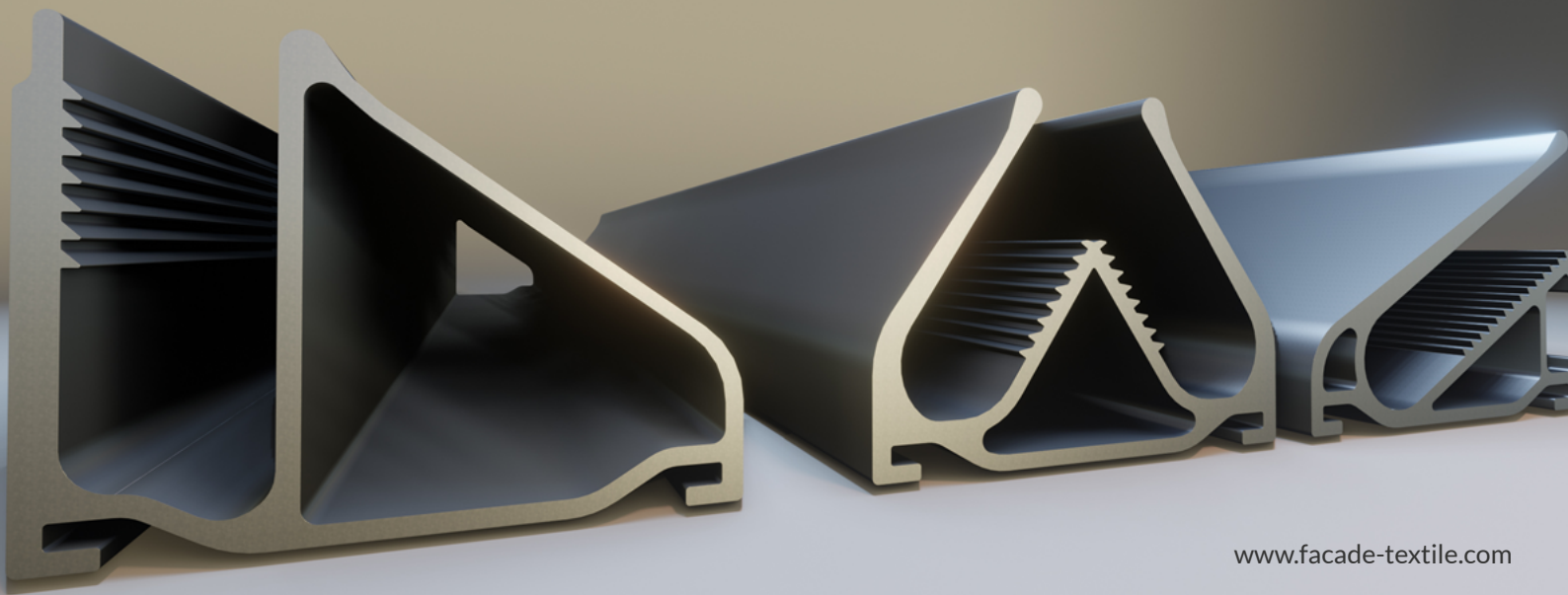
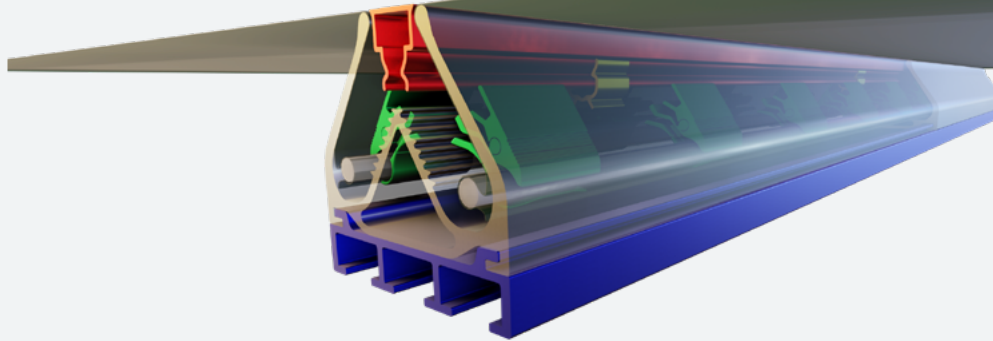


# Solar Skin **CONFIG**




# Solar Skin CONFIG 1

www.facade-textile.com



 More Details

|       | Description  | FTI REF |
|-------|--|---------|
| Body  | Double-channel body profile                                | SSD80   |
| Swan  | Tensioning SWAN  | SWAN    |
| Socle | Continuous modular socle for body profile                  | AM80    |
| Clip  | Clip profile for Cover                                     | CHD     |
| Cover | Flat surface cover profile for double-channel body profile | CFD     |

 +41 79 137 81 59

 contact@facade-textile.com

 EUROPE - INDIA - CHINA - JAPAN - SOUTH AMERICA - SOUTH ASIA

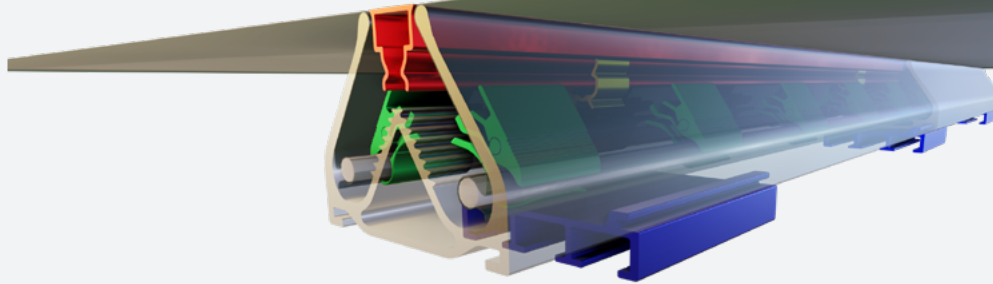


click & view



# Solar Skin CONFIG 2

www.facade-textile.com



|       | Description  | FTI REF |
|-------|--|---------|
| Body  | Double-channel body profile                                | SSD80   |
| Swan  | Tensioning SWAN  | SWAN    |
| Socle | Split modular socle for body profile                       | AM80    |
| Clip  | Clip profile for Cover                                     | CHD     |
| Cover | Flat surface cover profile for double-channel body profile | CFD     |

+41 79 137 81 59

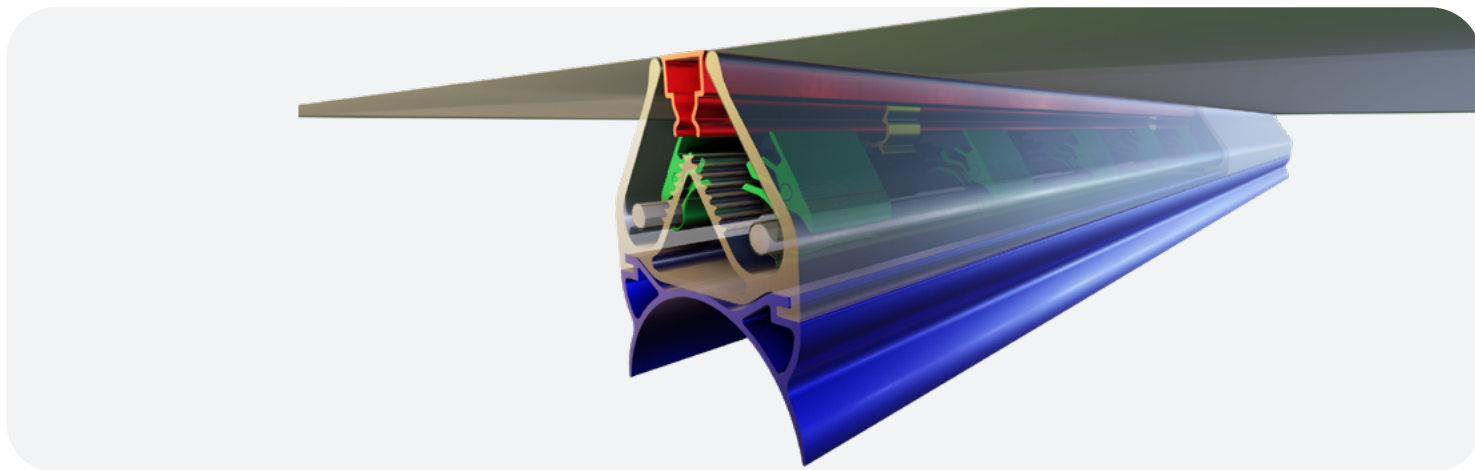
contact@facade-textile.com

EUROPE - INDIA - CHINA - JAPAN - SOUTH AMERICA - SOUTH ASIA



# Solar Skin CONFIG 3

www.facade-textile.com



|       | Description  | FTI REF |
|-------|--|---------|
| Body  | Double-channel body profile                                | SSD80   |
| Swan  | Tensioning SWAN  | SWAN    |
| Socle | Continuous circular socle for body profile                 | AT80    |
| Clip  | Clip profile for Cover                                     | CHD     |
| Cover | Flat surface cover profile for double-channel body profile | CFD     |

+41 79 137 81 59

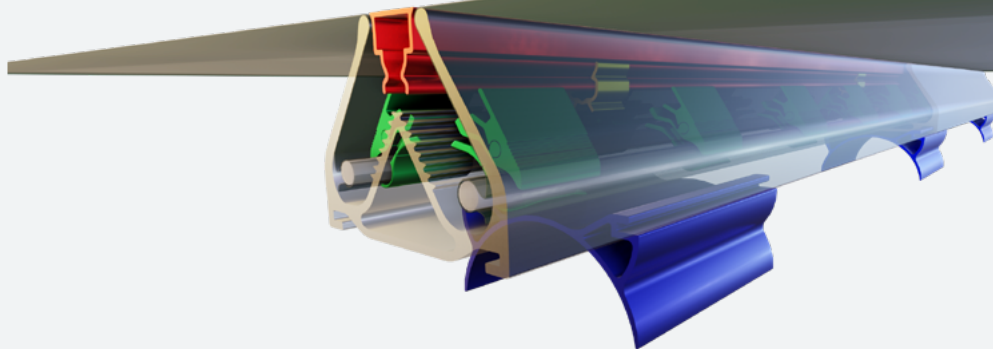
contact@facade-textile.com

EUROPE - INDIA - CHINA - JAPAN - SOUTH AMERICA - SOUTH ASIA



# Solar Skin CONFIG 4

www.facade-textile.com



|       | Description  | FTI REF |
|-------|--|---------|
| Body  | Double-channel body profile                                | SSD80   |
| Swan  | Tensioning SWAN  | SWAN    |
| Socle | Split circular socle for body profile                      | AT80    |
| Clip  | Clip profile for Cover                                     | CHD     |
| Cover | Flat surface cover profile for double-channel body profile | CFD     |

+41 79 137 81 59

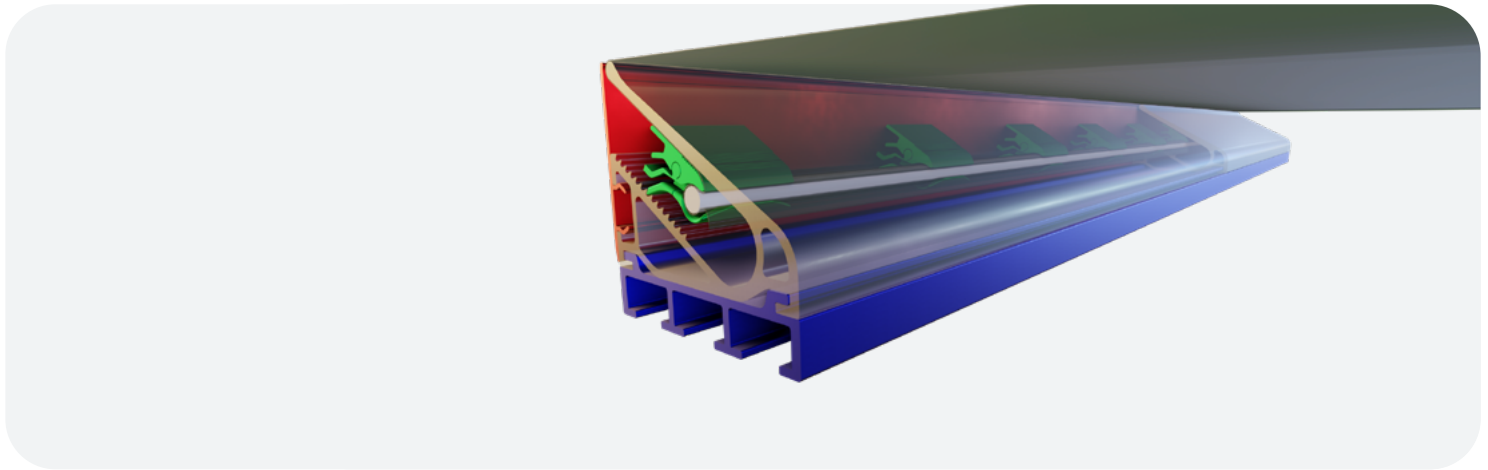
contact@facade-textile.com

EUROPE - INDIA - CHINA - JAPAN - SOUTH AMERICA - SOUTH ASIA



# Solar Skin **CONFIG 5**

www.facade-textile.com



|       | Description  | FTI REF |
|-------|--|---------|
| Body  | Side-channel body profile                                | SSS80   |
| Swan  | Tensioning SWAN  | SWAN    |
| Socle | Continuous modular socle for body profile                | AM80    |
| Cover | Flat surface cover profile for side-channel body profile | CFS     |

+41 79 137 81 59

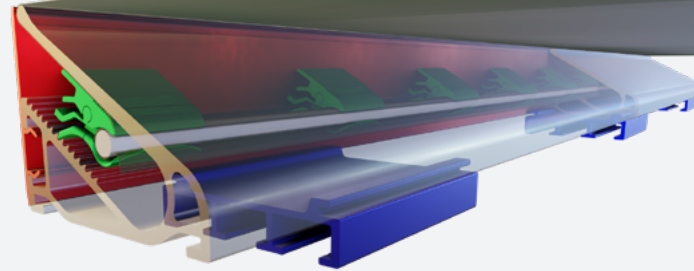
contact@facade-textile.com

EUROPE - INDIA - CHINA - JAPAN - SOUTH AMERICA - SOUTH ASIA



# Solar Skin **CONFIG 6**

www.facade-textile.com



|       | Description  | FTI REF |
|-------|--|---------|
| Body  | Side-channel body profile                                | SSS80   |
| Swan  | Tensioning SWAN  | SWAN    |
| Socle | Split modular socle for body profile                     | AM80    |
| Cover | Flat surface cover profile for side-channel body profile | CFS     |



+41 79 137 81 59



contact@facade-textile.com

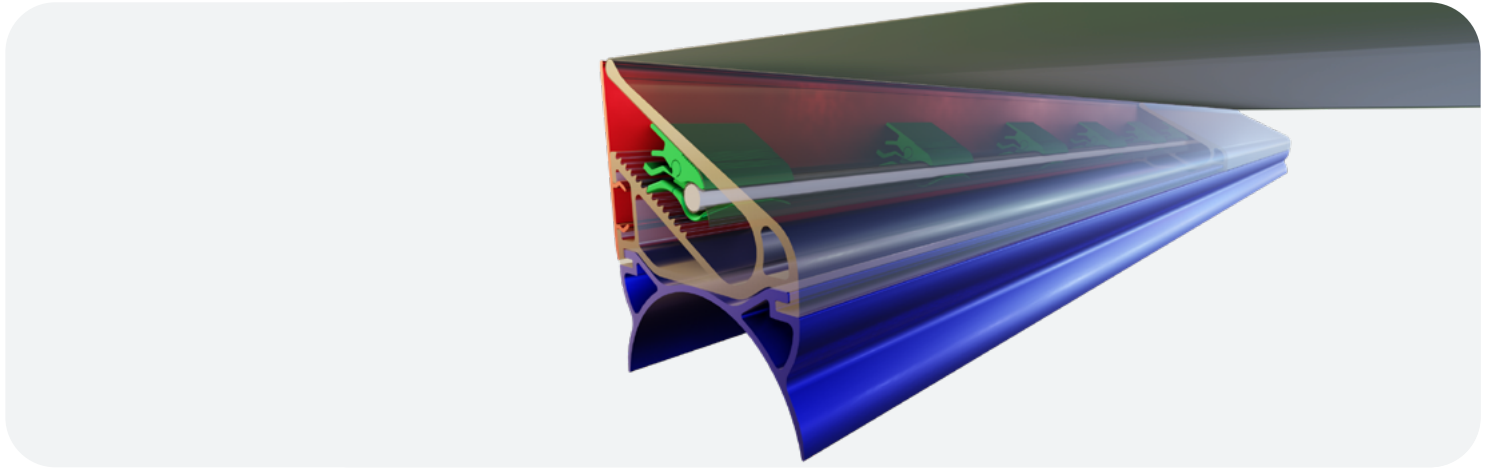


EUROPE - INDIA - CHINA - JAPAN - SOUTH AMERICA - SOUTH ASIA



# Solar Skin **CONFIG 7**

www.facade-textile.com



|       | Description  | FTI REF |
|-------|--|---------|
| Body  | Side-channel body profile                                | SSS80   |
| Swan  | Tensioning SWAN  | SWAN    |
| Socle | Continuous circular socle for body profile               | AT80    |
| Cover | Flat surface cover profile for side-channel body profile | CFS     |

+41 79 137 81 59

contact@facade-textile.com

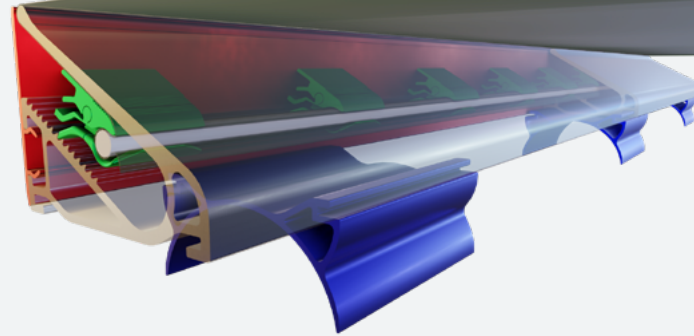
EUROPE - INDIA - CHINA - JAPAN - SOUTH AMERICA - SOUTH ASIA





# Solar Skin **CONFIG 8**

www.facade-textile.com



|       | Description  | FTI REF |
|-------|--|---------|
| Body  | Side-channel body profile                                | SSS80   |
| Swan  | Tensioning SWAN  | SWAN    |
| Socle | Split circular socle for body profile                    | AT80    |
| Cover | Flat surface cover profile for side-channel body profile | CFS     |



+41 79 137 81 59



contact@facade-textile.com

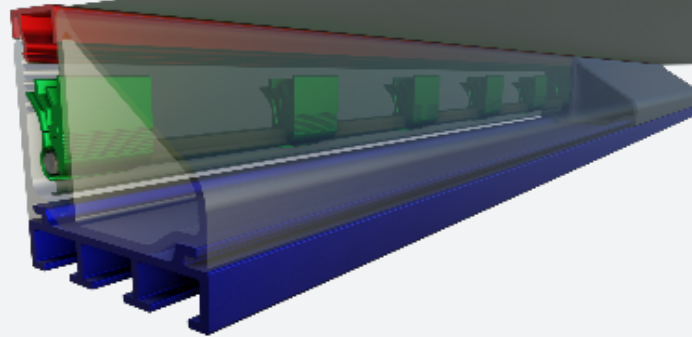


EUROPE - INDIA - CHINA - JAPAN - SOUTH AMERICA - SOUTH ASIA



# Solar Skin CONFIG 9

www.facade-textile.com



|       | Description  | FTI REF |
|-------|--|---------|
| Body  | Edge-channel body profile                                | SSE80   |
| Swan  | Tensioning SWAN  | SWAN    |
| Socle | Continuous modular socle for body profile                | AM80    |
| Cover | Flat surface cover profile for edge-channel body profile | CFE     |



+41 79 137 81 59



contact@facade-textile.com

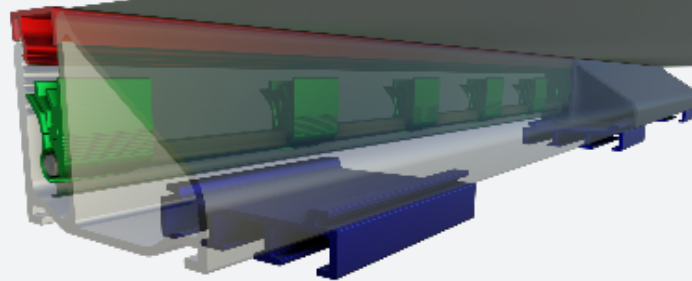


EUROPE - INDIA - CHINA - JAPAN - SOUTH AMERICA - SOUTH ASIA



# Solar Skin **CONFIG 10**

www.facade-textile.com



|       | Description  | FTI REF |
|-------|--|---------|
| Body  | Edge-channel body profile                                | SSE80   |
| Swan  | Tensioning SWAN  | SWAN    |
| Socle | Split modular socle for body profile                     | AM80    |
| Cover | Flat surface cover profile for edge-channel body profile | CFE     |

+41 79 137 81 59

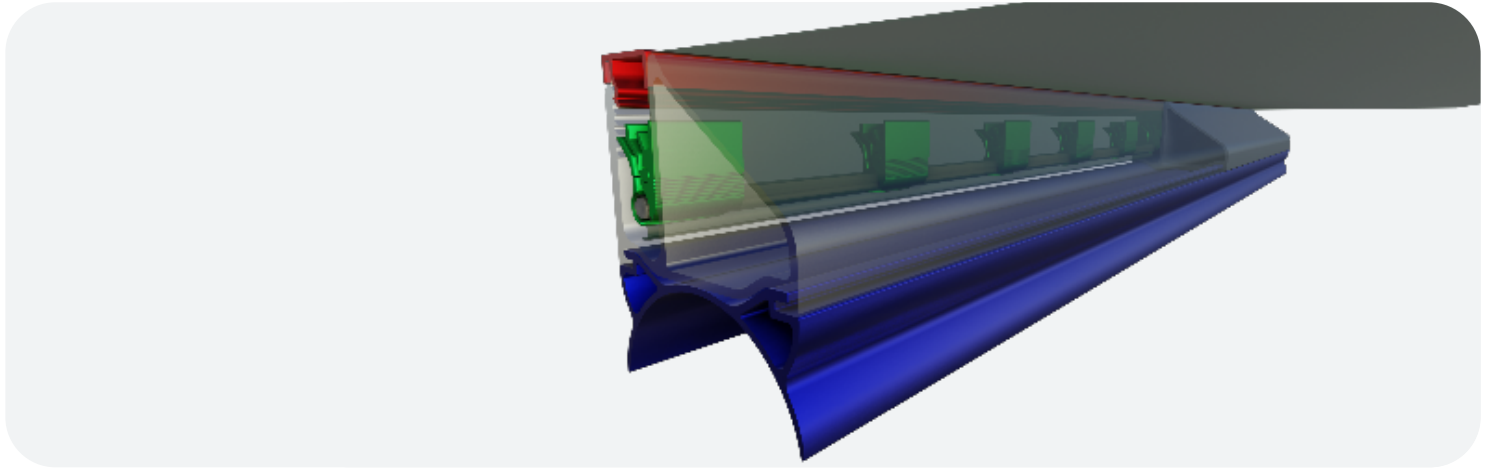
contact@facade-textile.com

EUROPE - INDIA - CHINA - JAPAN - SOUTH AMERICA - SOUTH ASIA



# Solar Skin **CONFIG 11**

www.facade-textile.com



|       | Description  | FTI REF |
|-------|--|---------|
| Body  | Edge-channel body profile                                | SSE80   |
| Swan  | Tensioning SWAN  | SWAN    |
| Socle | Continuous circular socle for body profile               | AT80    |
| Cover | Flat surface cover profile for edge-channel body profile | CFE     |

+41 79 137 81 59

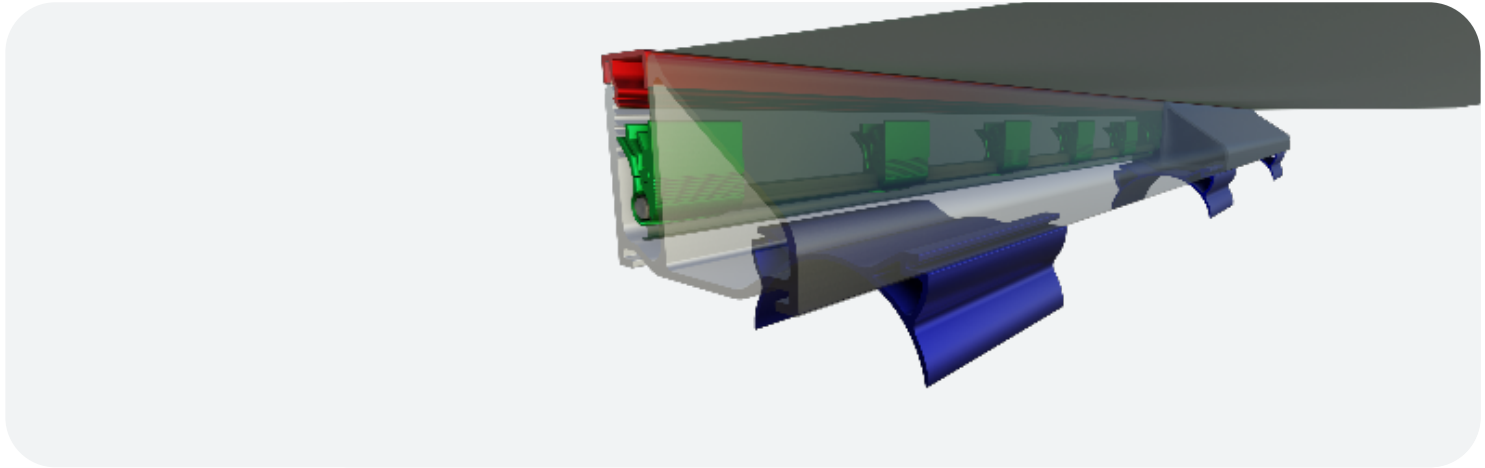
contact@facade-textile.com

EUROPE - INDIA - CHINA - JAPAN - SOUTH AMERICA - SOUTH ASIA



# Solar Skin CONFIG 12

www.facade-textile.com



|       | Description  | FTI REF |
|-------|--|---------|
| Body  | Edge-channel body profile                                | SSE80   |
| Swan  | Tensioning SWAN  | SWAN    |
| Socle | Split circular socle for body profile                    | AT80    |
| Cover | Flat surface cover profile for edge-channel body profile | CFE     |

+41 79 137 81 59

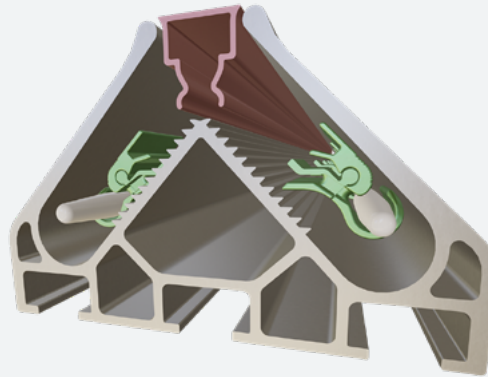
contact@facade-textile.com

EUROPE - INDIA - CHINA - JAPAN - SOUTH AMERICA - SOUTH ASIA



# Solar Skin **CONFIG 13**

www.facade-textile.com



|       | Description  | FTI REF |
|-------|--|---------|
| Body  | Double channel body profile                              | SSD120  |
| Swan  | Tensioning SWAN  | SWAN    |
| Cover | Flat surface cover profile for edge-channel body profile | CFE     |

+41 79 137 81 59

contact@facade-textile.com

EUROPE - INDIA - CHINA - JAPAN - SOUTH AMERICA - SOUTH ASIA

