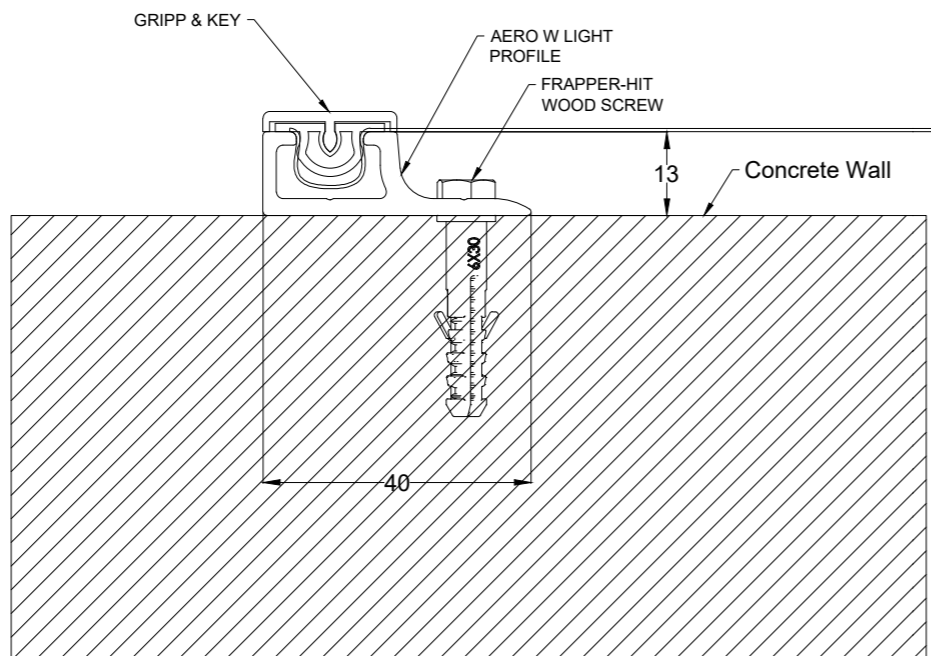
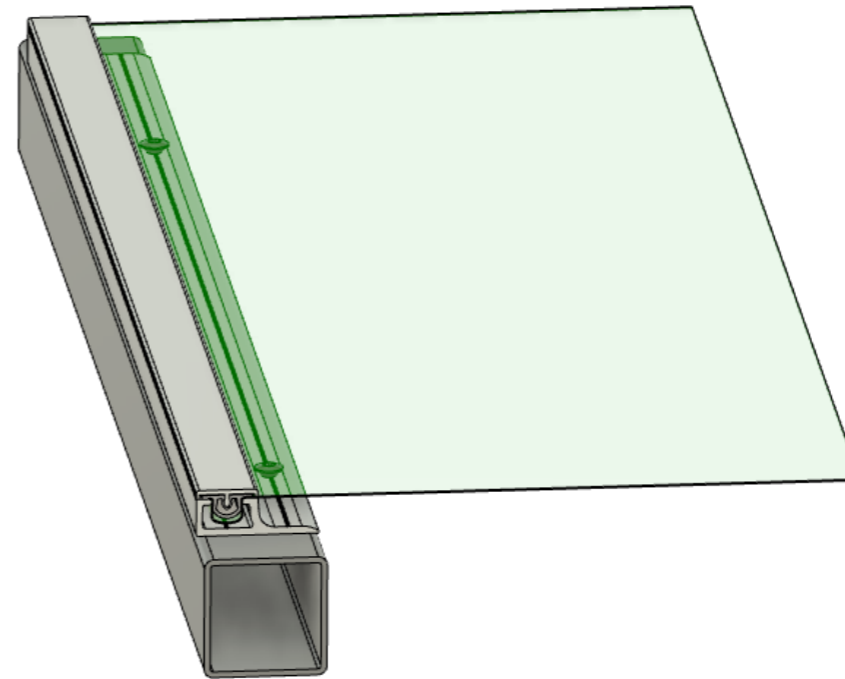


TOP VIEW 1:1



TOP VIEW 1:1

