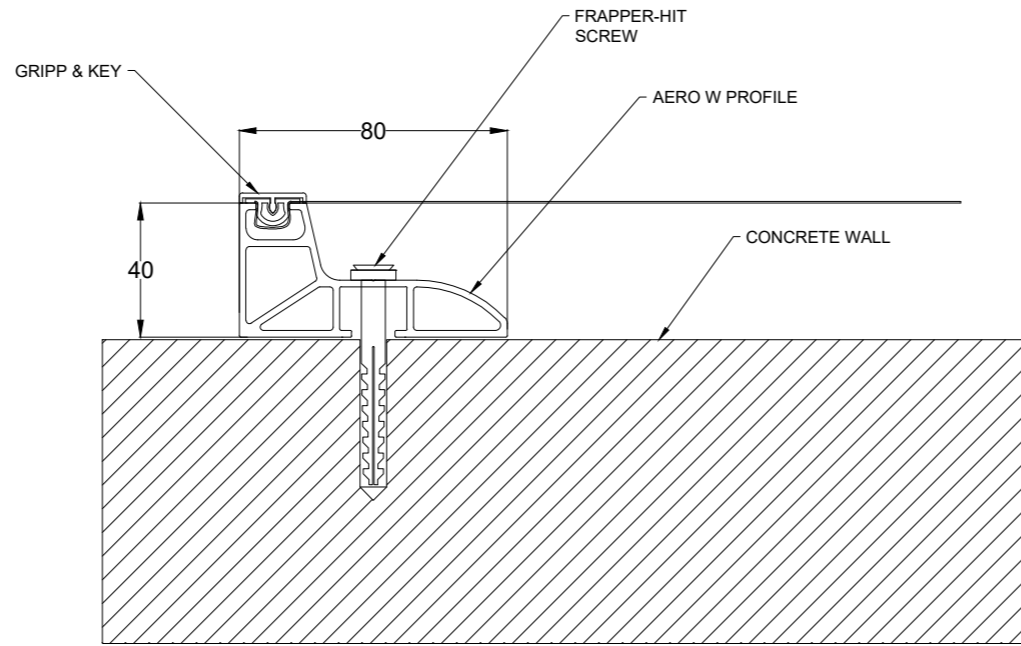
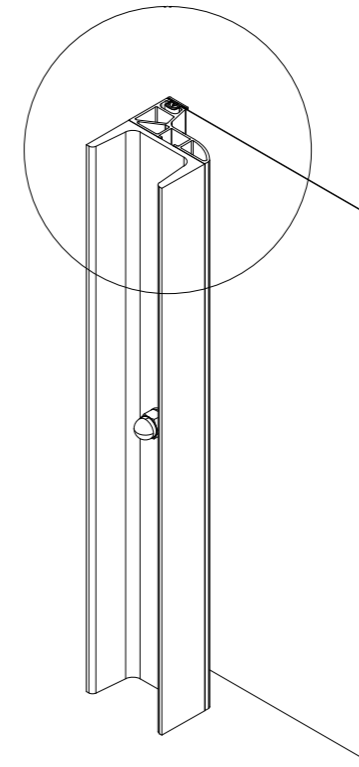


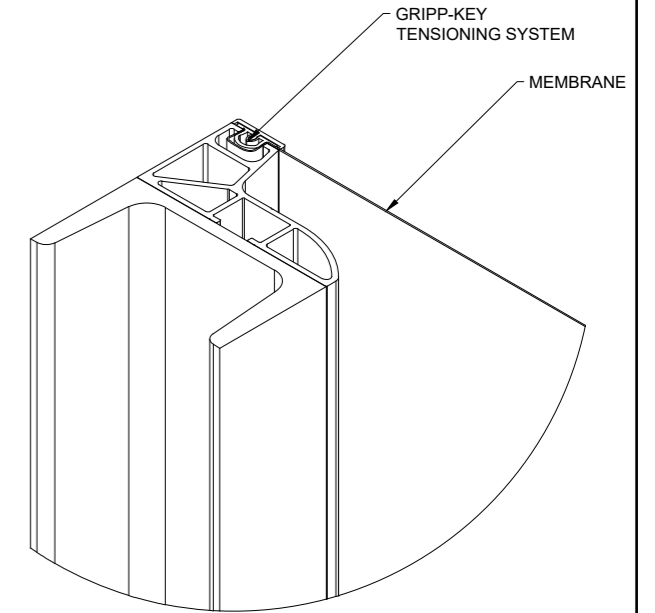
SECTION VIEW 1:2



SECTION VIEW 1:2

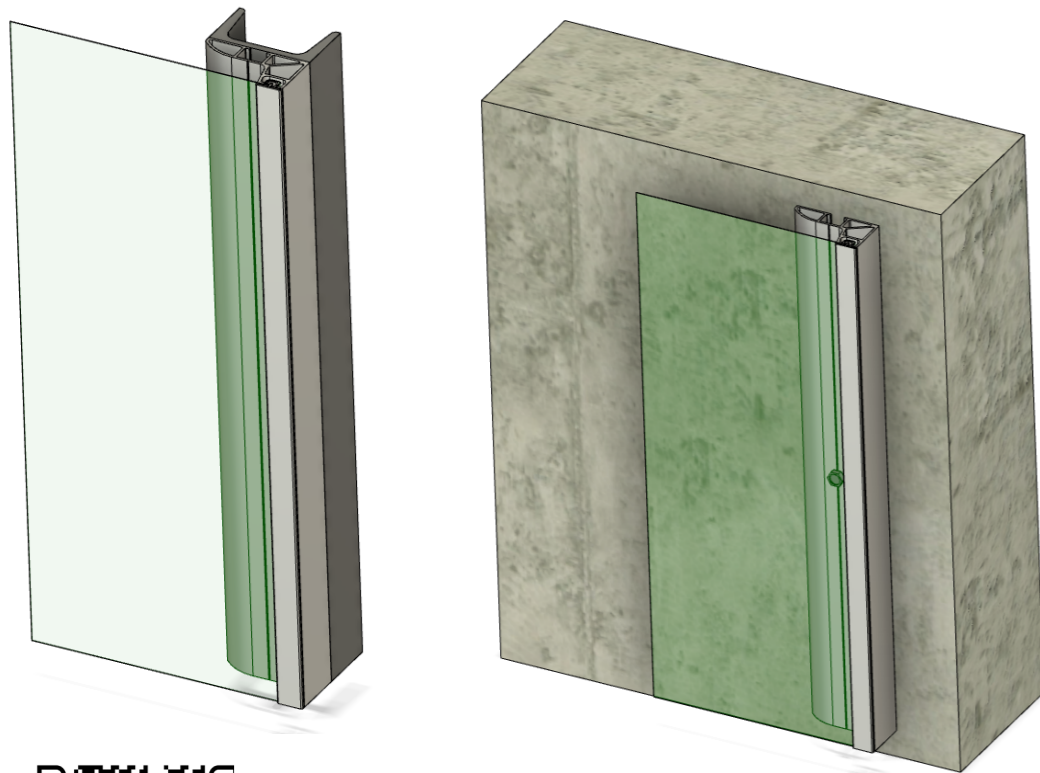


AXONOMETRIC VIEW 1:5



DETAIL AXONO A 1:2

3D PERSPECTIVE



Gulliver Primary School | Banská - Slovakia



La Passerelle - Médiathèque | La Tour Du Pin- France

