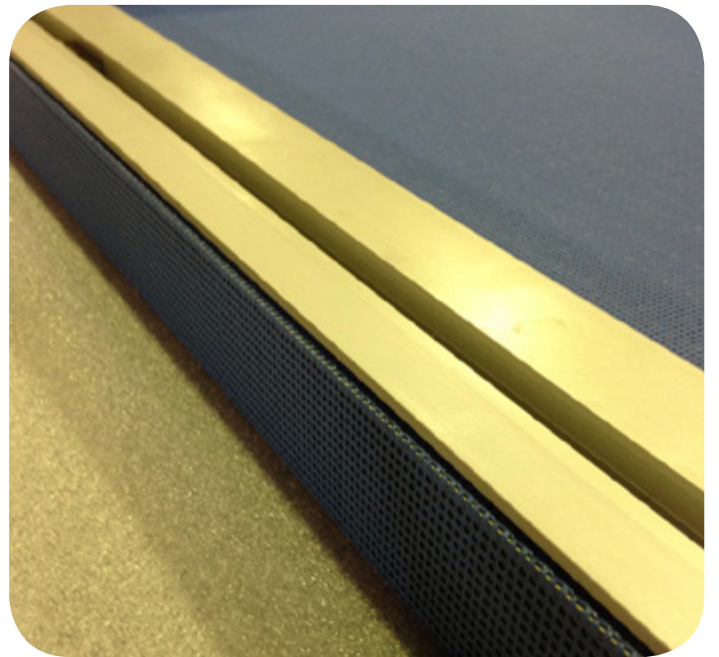


Modular Tensile Facades
aero S



aero S

Aero S profile was first used to bring Safran's car park facades to life. It was designed in close cooperation with architecture firm Wilmote & Associés, to meet their vision for an elegant, modular and ventilated facade.

Aero S embodies FTI know-how and expertise, doubles-down on our renowned versatility, reliability and robustness, and integrates new design-enabled features, such as self-cleaning capabilities and invisible front framing.

AN EFFICIENT, FLEXIBLE AND VENTILATED TEXTILE FACADE

◆ Thermals :

Associated with Serge Ferrari's Frontside View 381 membrane, the textile facade blocks up to 78% of solar heat.

◆ Resistance :

Laboratory test results show a breakout resistance at up to 4.2 T ml. Hence, the Aero A solution becomes one of the most resistant systems on the market.

Its effectiveness has already been proven by resisting to Hurricane Irma in 2017, as our Miami installations emerged unscathed.

◆ Large-Format :

Aero S is the perfect solution for modular and/or repetitive frames. Its technical specifications enable up to 20 m² tensioned frames.

A SIMPLE CONSTRUCTIVE SYSTEM

◆ Technique :

With only 8 involved elements, including the membrane, you can give birth to all the designs that you have in mind.

FTI's tensioning system does not require any membrane sewing or welding. From the membrane to the frame, there's only one step.

Aero S profile is equipped with a technical channel that accommodates M12 square nuts, which are used as sliding attachment points, allowing different fixation possibilities.

◆ Tooling :

Soft-impact Mallet + FTI tightening tool + Basic Tooling.

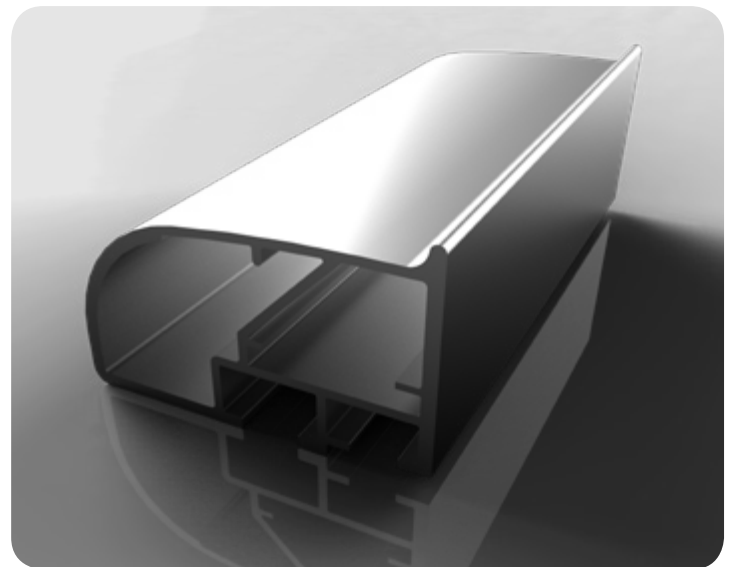
AN AESTHETICALLY-PLEASING LIGHTWEIGHT FACADE

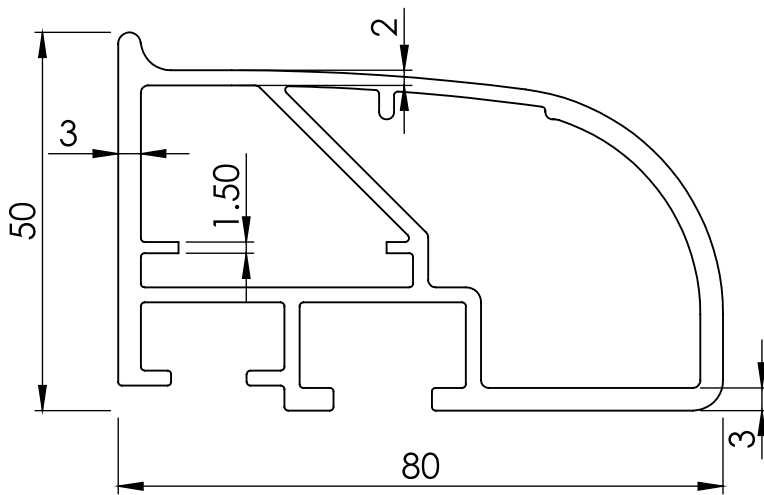
◆ Superior finishing quality :

A clean-looking tensile facade from the inside as well as from the outside.

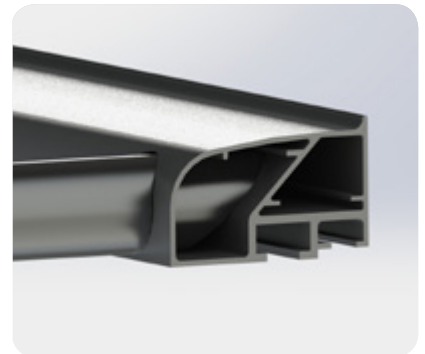
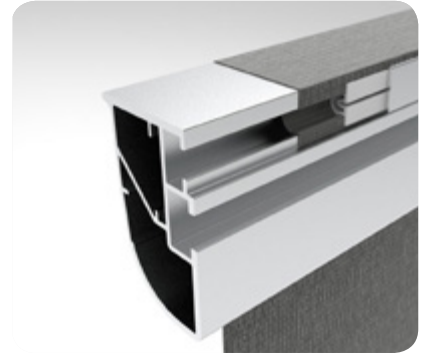
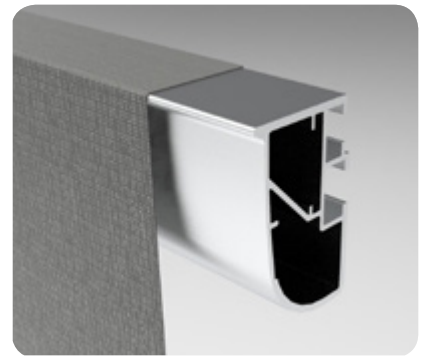
With a membrane that completely wraps the Aero S profile, the frame disappears totally from the external visual field.

Aero S was the first profile in the Aero range to receive a reinforcement system with no visible fixations.





Scale 1:1



CHARACTERISTICS

| | |
|--------------------------|---|
| Width | 80 mm |
| Thickness | 50 mm |
| Weight | 2.07 Kg / ml |
| Maximum Surface | 20 m ² |
| Inertia | Lxx = 183310.68 Lxy = 77755.83 Lxz = 0.00 Lyx = 77755.83 Lyy = 529996.85 Lyz = 0.00 Lzx = 0.00 Lzy = 0.00 Lzz = 713307.53 |
| Surface Treatment | Anodized 15μ / Natural alu / Powder Coating |
| Bars Length | 2650 mm or 5300 mm |
| Sold with | Gripp PVC + Key |



WIND RESISTANCE
250 Km/h



100% RECYCLABLE



TEARING 4,2T/lm



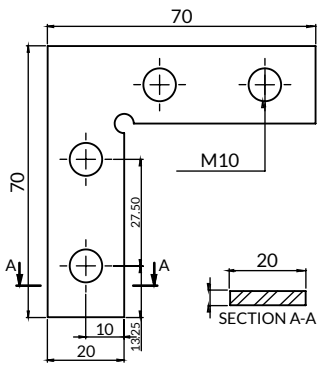
SURFACE 20 m²/frame



MODULAR
FACADES

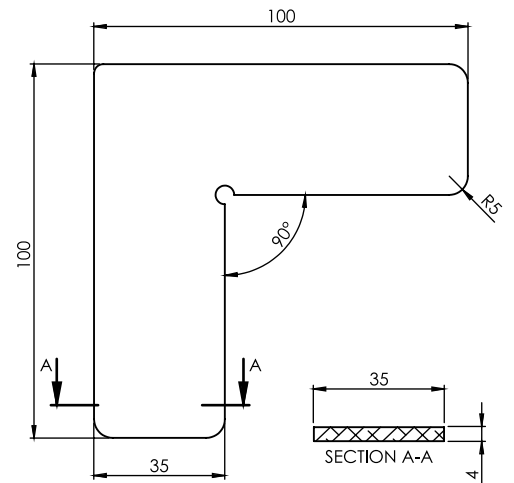


PATENTED SYSTEM



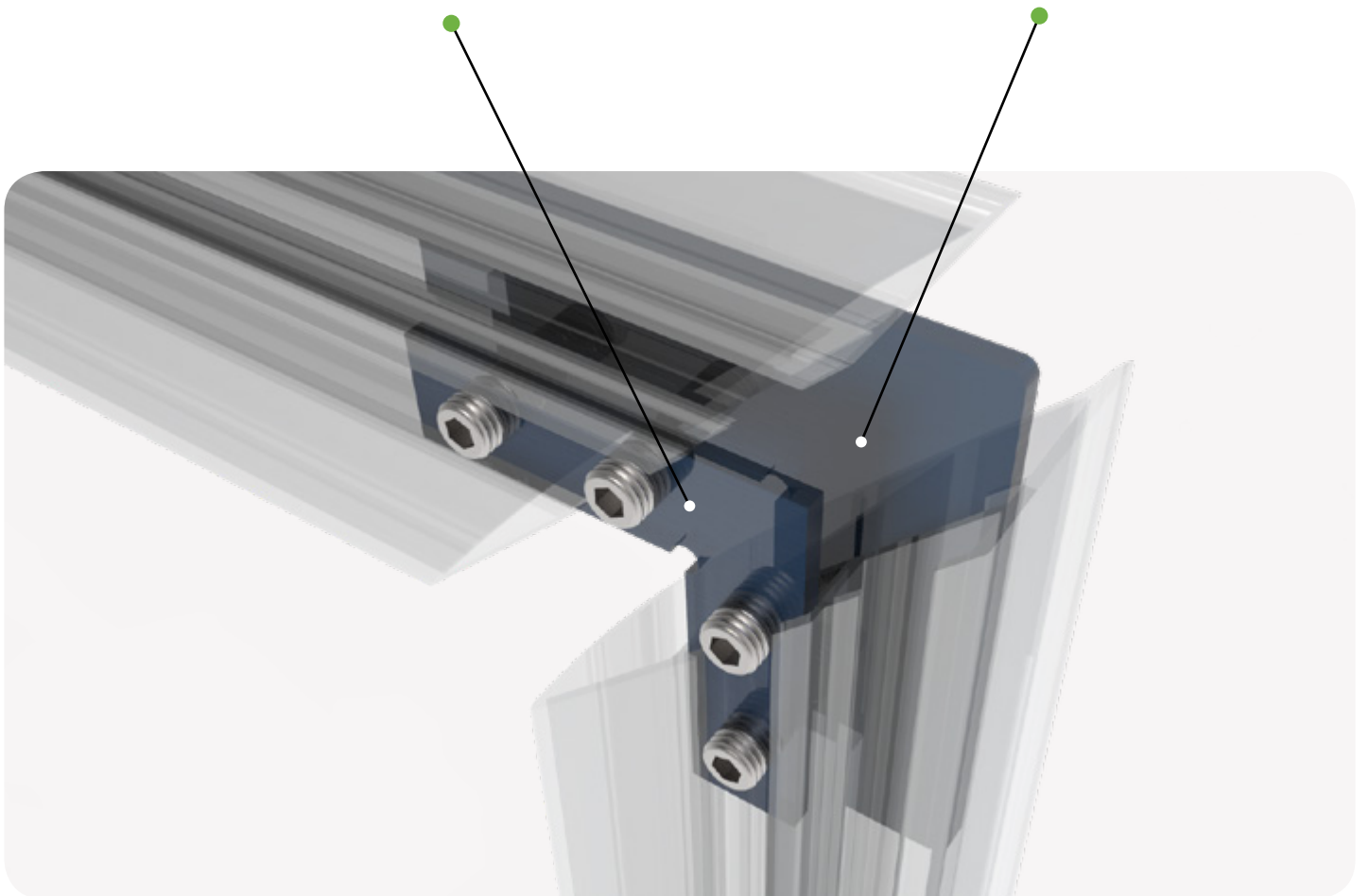
AERO S - EQ90T

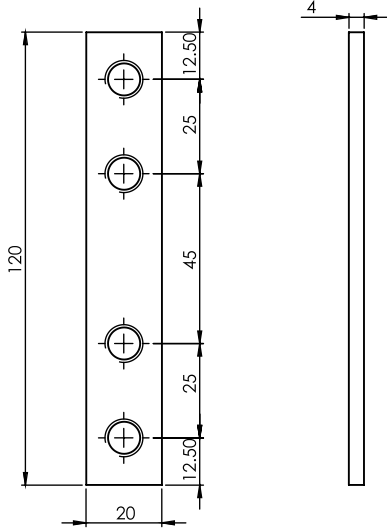
Scale 1:2



AERO S - EQ90

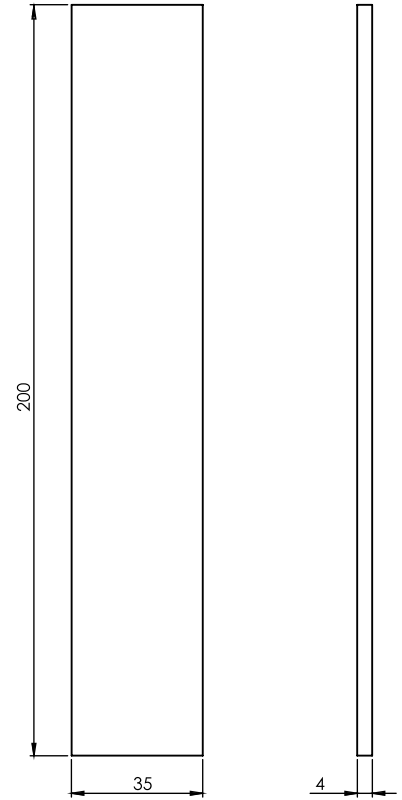
Scale 1:2





AERO S - Threaded Junction Plate

Scale 1:2



AERO S - Junction Plate

Scale 1:2

