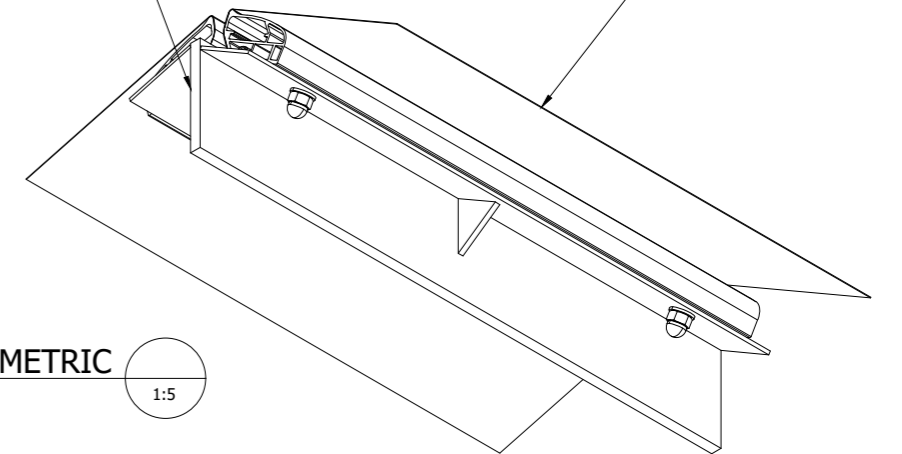


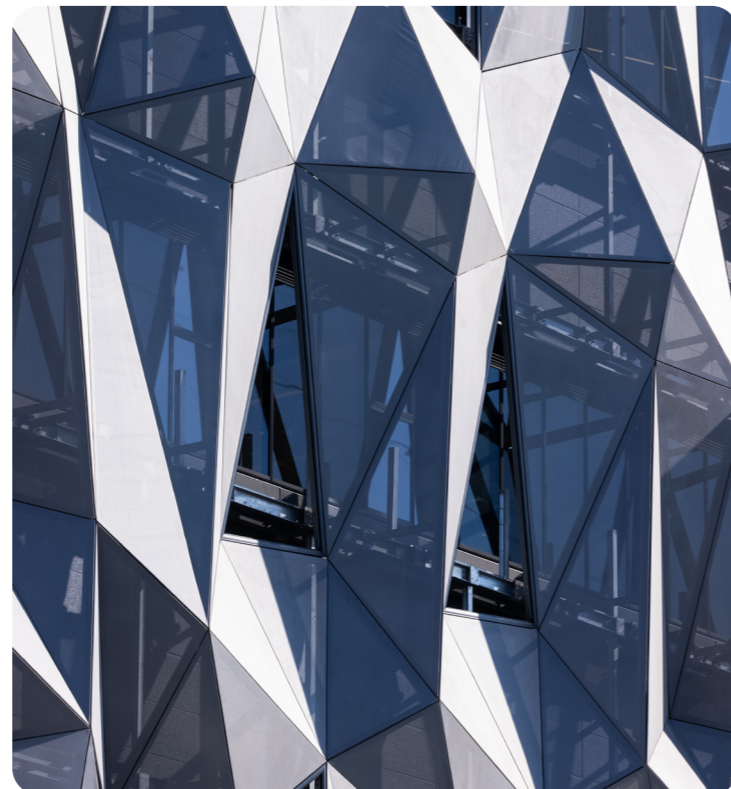
SECTION
DETAIL 1:5

REINFORCEMENT PLATES
GALVANIZED STEEL

MEMBRANE



AXONOMETRIC
VIEWS 1:5



Aero A - Mounting Principle
www.facade-textile.com

Goodman Business Park - East Gate | Chiba - Japan